



22/10/2015

**MAESTRIA+ 50 io RH
TECHNICAL DATA MOTOR**

SDEV-CLU-IMPS 61R0

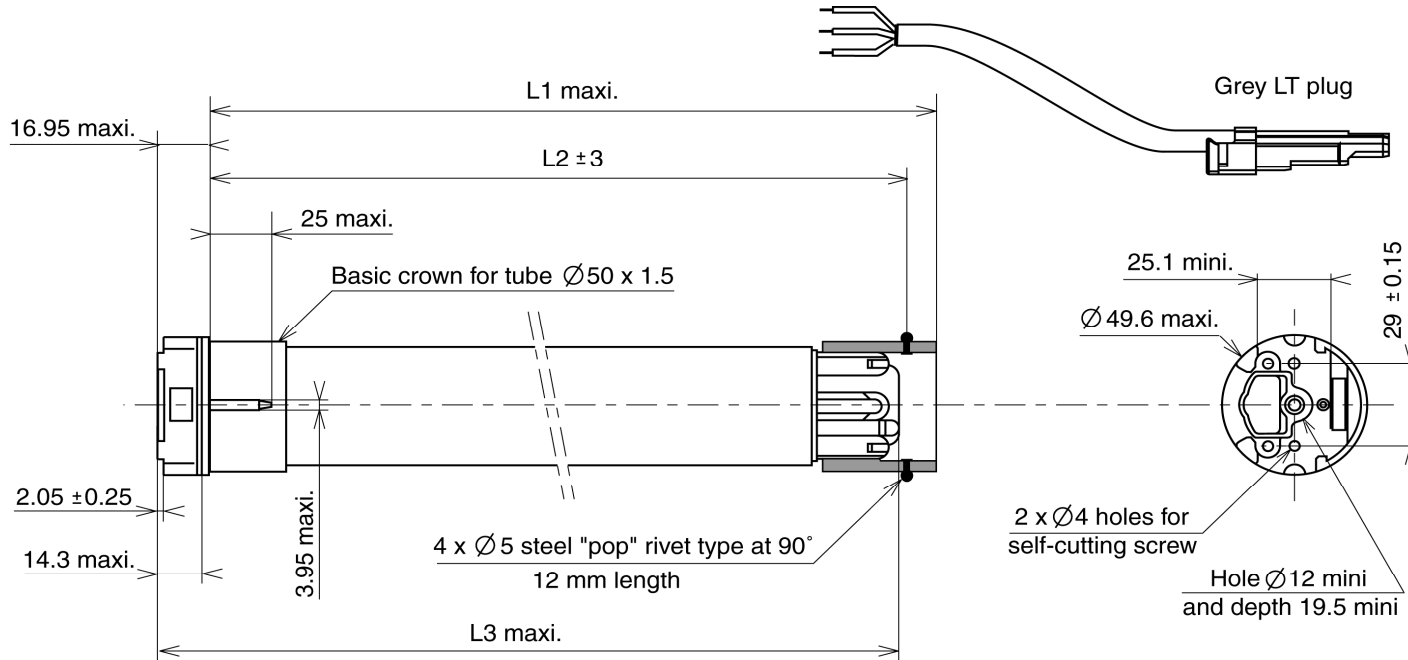
TDST DOC127441 001

Range 1

Type of head	Round Head
Nominal voltage	230 V - 50 Hz
Power supply tolerances	195,5-255 V AC
Thermal time	4 minutes
Number of wires of the cable	3
Wire section	0,75 mm ²
Type of limit switch unit	Electronic
Capacity of the LSU	241 turns
Repeatability	< ± 5°
System of protection	IP 44
Interface drawings	Wheel interface LT50 206821-Crown interface LT50 206822-Bracket interface LT50RH 206824
Radio frequency	Screw implantation for LT50 RH mounting 206867 868-870 Mhz (tri band)
Coding	Code with a minimum of 2 ⁴⁸ possibilities
Capacity of memory	Maxi 9 for 1W transmitter - infinite for 2W transmitters
Antenna	Integrated
Range	20 m with 2 reinforced concrete walls to be passed through Possibility to enhance radio range thanks to a Repeater
R&TTE (Radio Equipement and Telecommunications Terminal Equipement Directive)	http://www.somfy.com/ce/index.cfm
Safety Security	http://www.somfy.com/ce/index.cfm
Electromagnetic compatibility	http://www.somfy.com/ce/index.cfm
Radio frequency	http://www.somfy.com/ce/index.cfm
Principle	The principle of the Maestria+ io is to motorize all type of vertical screens (Standard,zip, with/without locks) with the io-Homecontrol protocol
Basic crown for tube Ø	50 x 1,5 mm
Temperature working range	80% of life time between -10°C to +40°C 20% of life time between -20°C to +70°C

	Nm	rpm		mm	mm	mm	2	A	kg	mm	°C		dBA	mm	µF	
Designation	Nominal torque	Nominal speed	Reference	L1 max.	L2 (±3 mm)	L3 max.		Rated power	Rated current	Weight	tube	Thermal tripping	Brake type	Noise	Stator	Capacitor
Maestria+ 50 io RH 6/17	6	17	5 122 419	605	590	610		90	0,45	1,85	540	140	Sliding	47	30	2,8
Maestria+ 50 io RH 6/32	6	32	5 122 416	655	640	660		120	0,5	2,21	590	140	Sliding	52	40	3,3
Maestria+ 50 io RH 10/17	10	17	5 122 420	655	640	660		120	0,5	1,985	590	150	Sliding	47	40	3,3
Maestria+ 50 io RH 10/32	10	32	5 122 417	655	640	660		160	0,75	2,21	590	150	Sliding	54	70	5,5
Maestria+ 50 io RH 15/17	15	17	5 122 421	655	640	660		140	0,65	2,12	590	150	Sliding	50	55	4,5
Maestria+ 50 io RH 15/32	15	32	5 122 418	675	660	680		240	1,1	2,54	610	150	Sliding	55	100	7
Maestria+ 50 io RH 25/17	25	17	5 122 422	655	640	660		170	0,8	2,34	590	150	Sliding	56	80	6
Maestria+ 50 io RH 35/17	35	17	5 122 423	675	660	680		240	1,1	2,56	610	150	Sliding	56	100	7

Neutral	Blue
Live	Brown
Earth	Green / Yellow



Name Date	R&D	QUALITY	EDITOR
	Anne-Sophie Cleguer	-	Thomas Danjean