



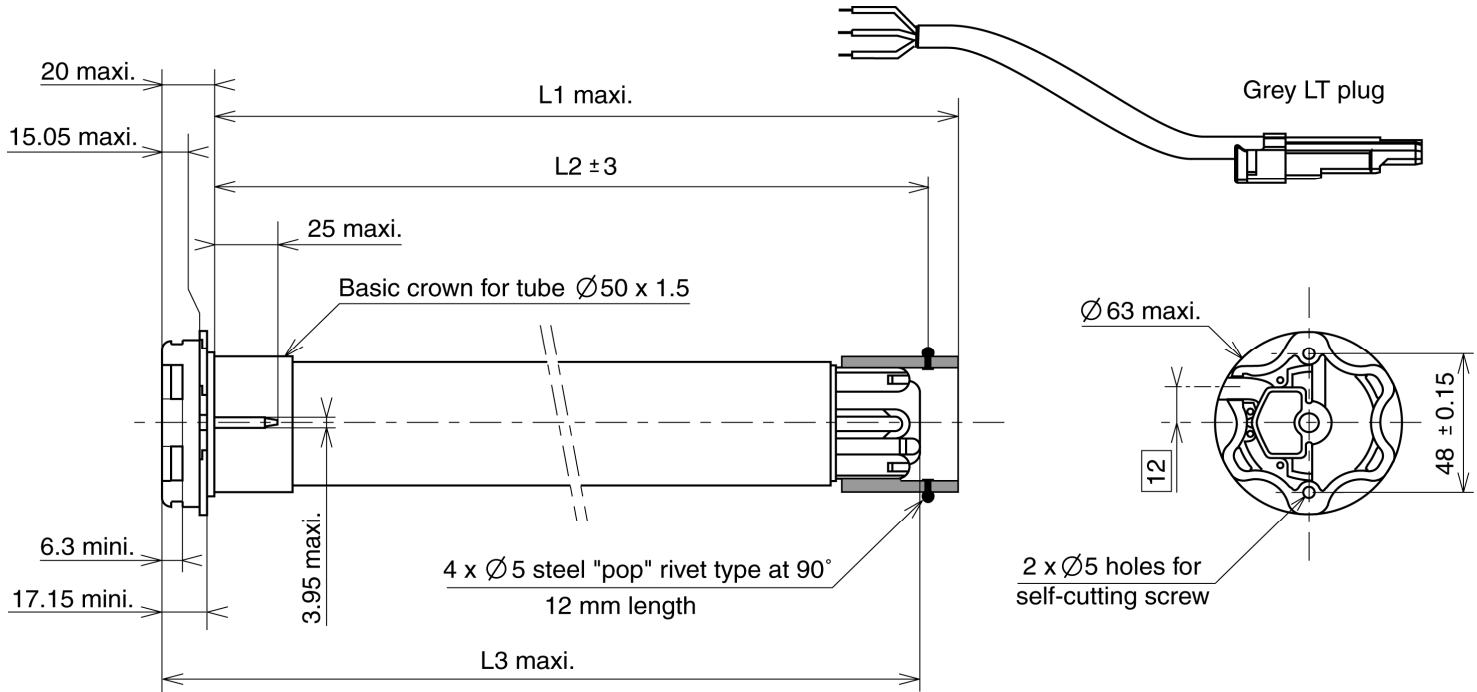
ILMO2 50 io - TECHNICAL DATA SHEET

Nominal Voltage	230 V-50Hz
Power supply tolerances	195.5 - 255 V : 100% of the time : +11% / -15%
Frequency tolerance	For 100 % of the time : +4% / -6%
Thermal time	4 minutes for all motors
Number of wires of the cable	3
Wire section	0,75 mm ²
Type of limit switch unit	Electronic
Capacity of the LSU	136 turns
Repeatability	< +/- 5°
System of protection	IP 44
Interface drawing	Screw implantation for LT50 mounting 206810-Wheel interface LT50 206821-Crown interface LT50 206822- Interface drawing star head LT50 and LT50PA/PS 206823-
Coding	Rolling code - 16 million of possibilities
Memory capacity	9 different 1 W
Range	20 m with 2 reinforced concrete walls to be passed through - if necessary, a beacon can be installed in order to satisfy this performance
End product protection	At the up and down direction
Accessories compatibility	ABS wheel: Not Compatible - Differential: Not compatible - Double insulation accessories : Compatible
Standby consumption	0,5 W
Electromagnetic compatibility	http://www.somfy.com/ce/index.cfm
Basic crown for tube Ø	50 x 1,5 mm
Temperature working range	Normal use : -10°C to +40°C Exceptional use (20% of the life time not simultaneous) : -20°C to + 70°C
CE declaration of conformity	http://www.somfy.com/ce/index.cfm
Noise level	According to SOMFY measures (for information only).Worse value : in load up direction during 10 seconds.

Designation	Nm	rpm	References	mm	mm	mm	mm	W	A	°C	Brake type	kg	dBA
	Nominal torque	Nominal speed		L1 max.	L2 (±3 mm)	L3 max.	Tube	Rated power	Rated current	Thermal tripping		Weight	Noise
ILMO2 50 io 6/17	6	17	5143341A	505	490	513	440	90	0,4	140	sliding	1,72	46
ILMO2 50 io TH 6/17	6	17	5143351A	505	490	513	440	90	0,4	140	sliding	1,72	46
ILMO2 50 io RH 6/17	6	17	5143447A	505	490	513	440	90	0,4	140	sliding	1,72	46
ILMO2 50 io 10/17	10	17	5143343A	505	490	513	440	120	0,5	140	sliding	1,85	47
ILMO2 50 io TH 10/17	10	17	5143364A	505	490	513	440	120	0,5	140	sliding	1,85	47
ILMO2 50 io RH 10/17	10	17	5143449A	505	490	513	440	120	0,5	140	sliding	1,85	47
ILMO2 50 io 15/17	15	17	5143345A	525	510	533	460	140	0,65	150	sliding	1,95	48
ILMO2 50 io TH 15/17	15	17	5143366A	525	510	533	460	140	0,65	150	sliding	1,95	48
ILMO2 50 io RH 15/17	15	17	5143451A	525	510	533	460	140	0,65	150	sliding	1,95	48
ILMO2 50 io 20/17	20	17	5143348A	555	540	563	490	160	0,65	150	sliding	2,15	53
ILMO2 50 io TH 20/17	20	17	5143368A	555	540	563	490	160	0,65	150	sliding	2,15	53
ILMO2 50 io RH 20/17	20	17	5143453A	555	540	563	490	160	0,65	150	sliding	2,15	53

somfy®	ILMO2 50 io - TECHNICAL DATA SHEET
---------------	---

WIRING	Neutral
	Live
	Earth



Name Date	R&D	QUALITY	EDITOR
	BEATRICE DUCORNETZ	Jean-François DREUX	Fabrice GILET